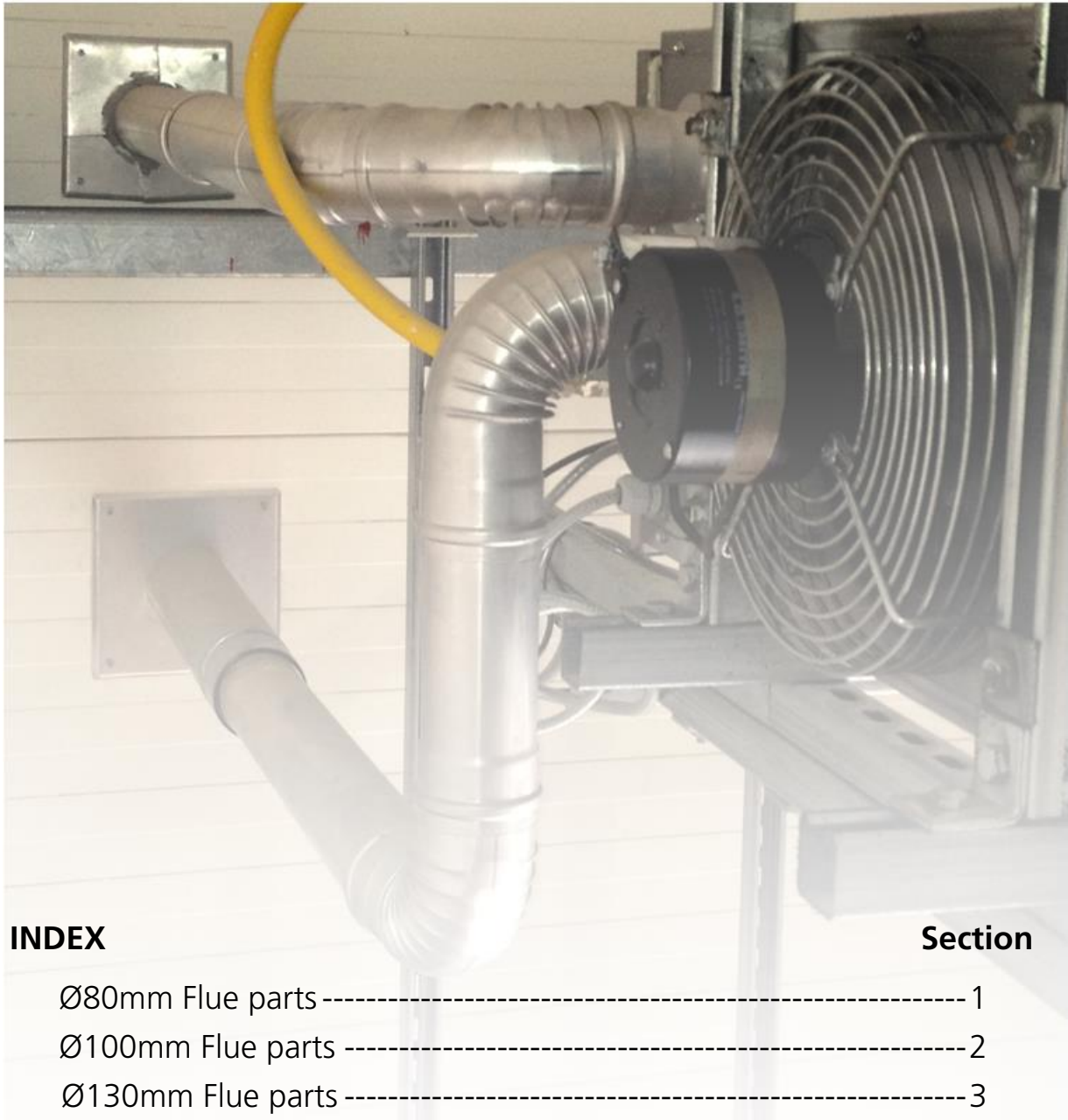


## STAINLESS STEEL FLUE FITTINGS Ø80, Ø100 & Ø130MM DIMENSIONAL DATA SHEET



### INDEX

### Section

Ø80mm Flue parts -----	1
Ø100mm Flue parts -----	2
Ø130mm Flue parts -----	3

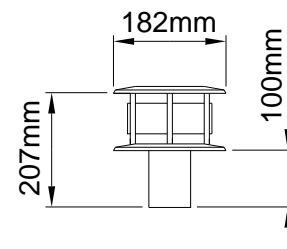
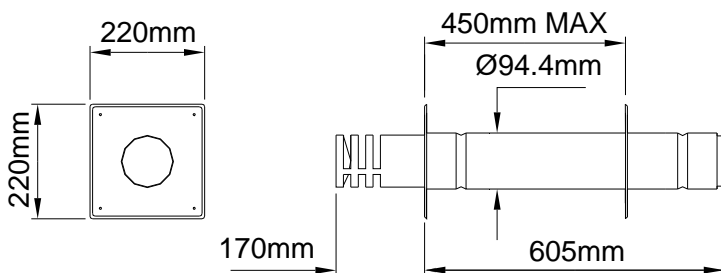
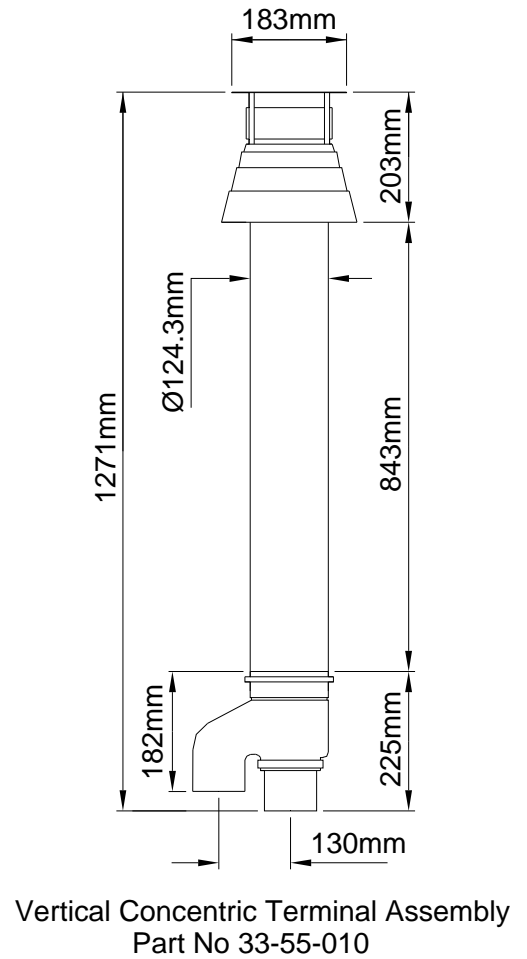
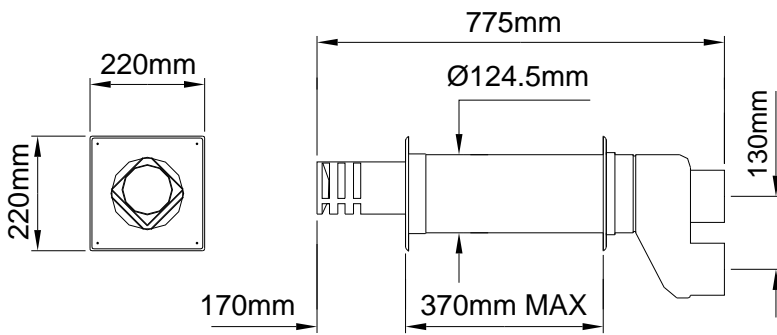
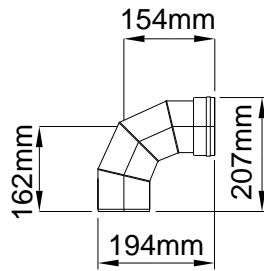
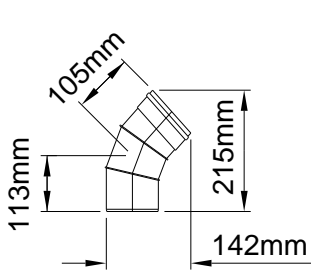
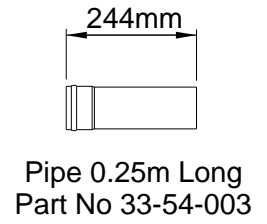
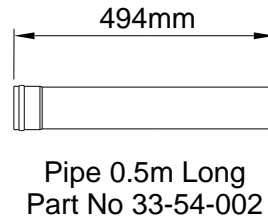
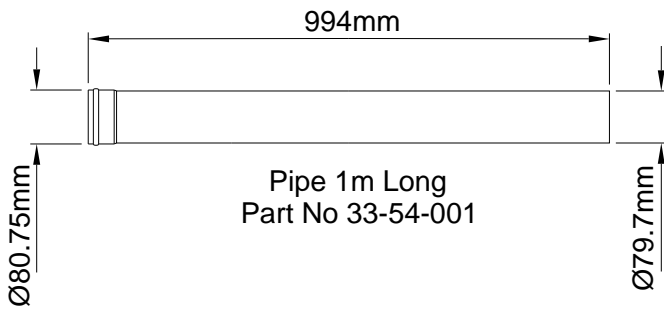
### WARNINGS

AmbiRad equipment must be installed and maintained in accordance with the relevant provisions of the Gas Safety (Installations and Use) Regulations 1998 for gas fired products. Due account should also be taken of any obligations arising from the Health and Safety at Works Act 1974 or relevant codes of practice.

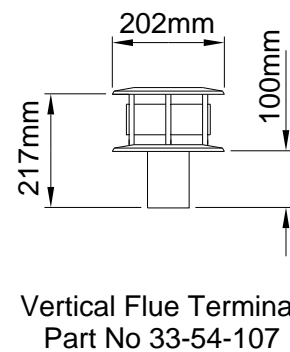
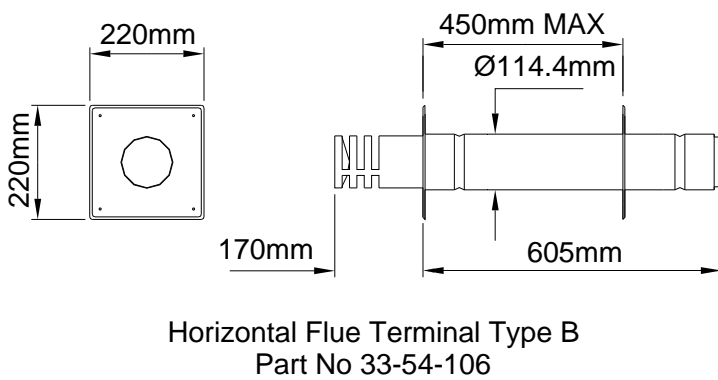
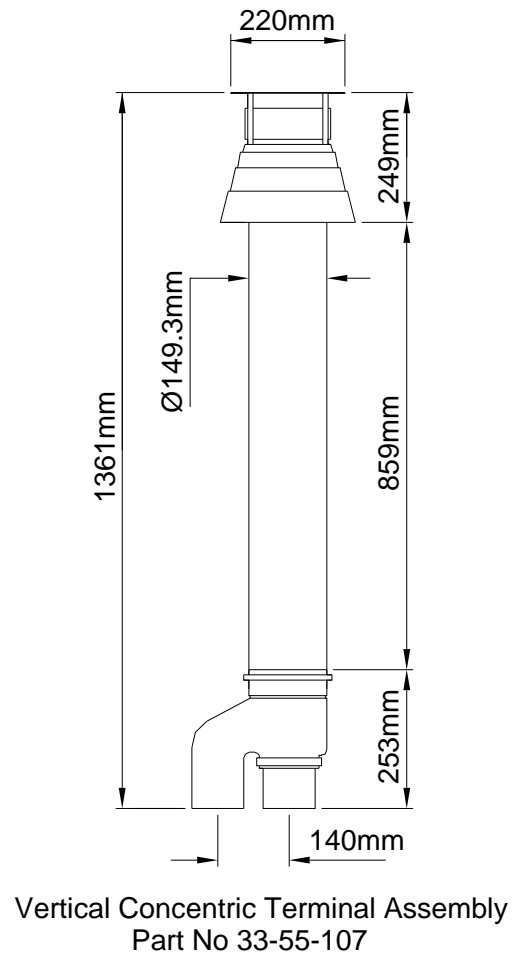
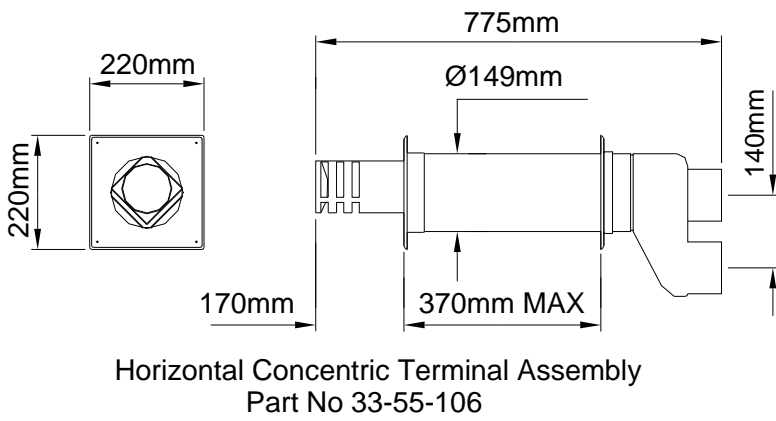
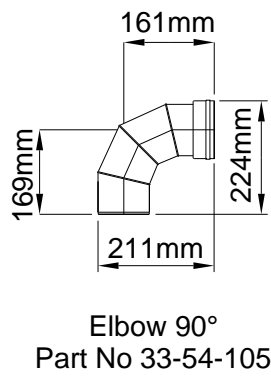
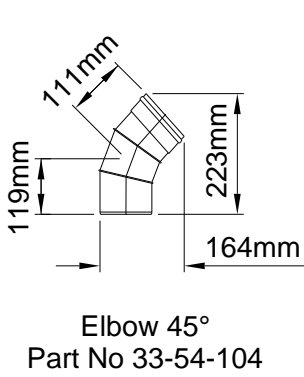
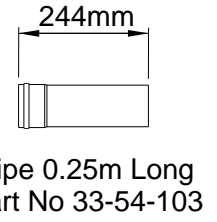
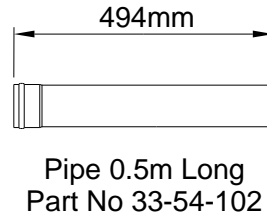
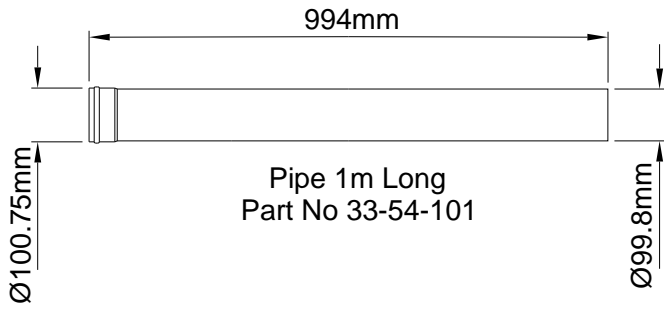
Part No. 707012



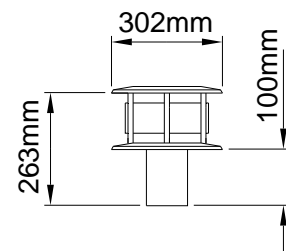
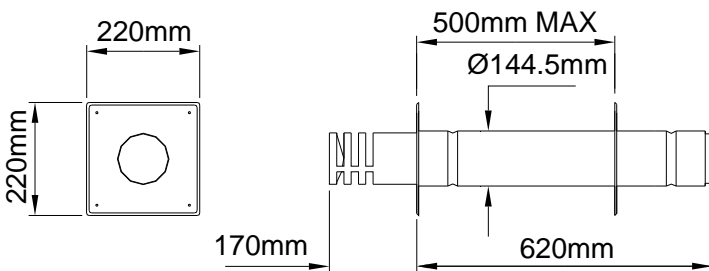
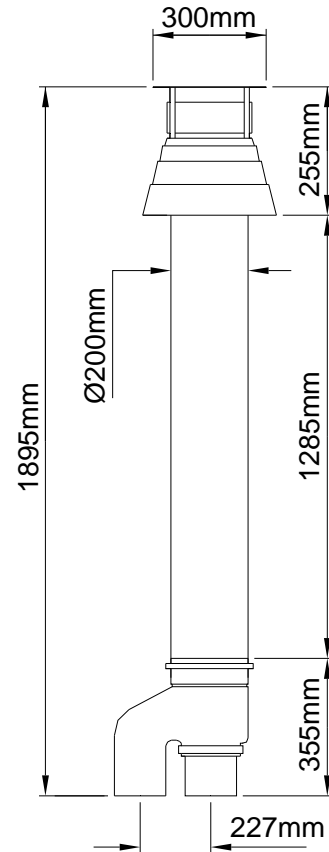
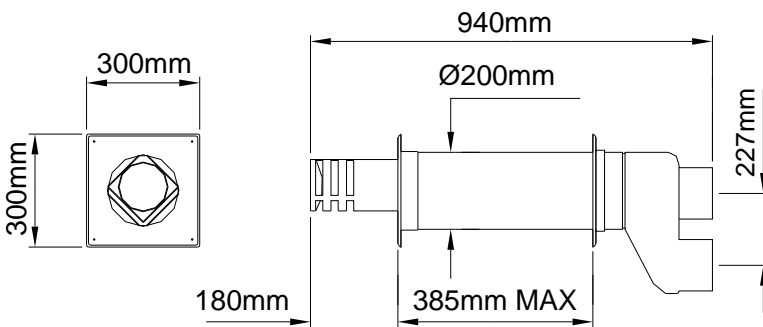
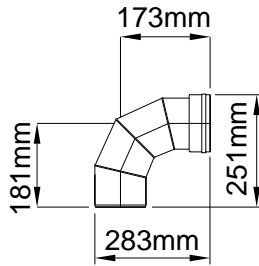
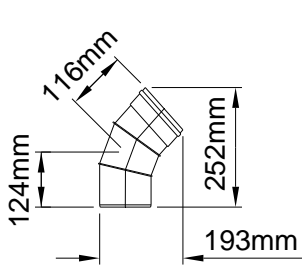
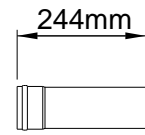
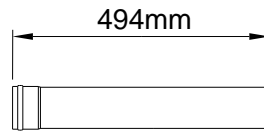
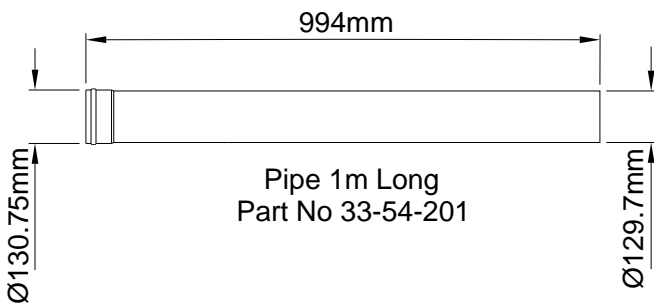
# Ø80mm



# Ø100mm



# Ø130mm



NORTEK GLOBAL HVAC (UK) LTD  
Fens Pool Avenue  
Brierley Hill  
West Midlands DY5 1QA  
United Kingdom

Tel: 01384 489 250  
Fax: 01384 489 707  
bensonsales@nortek.com  
www.bensonheating.co.uk