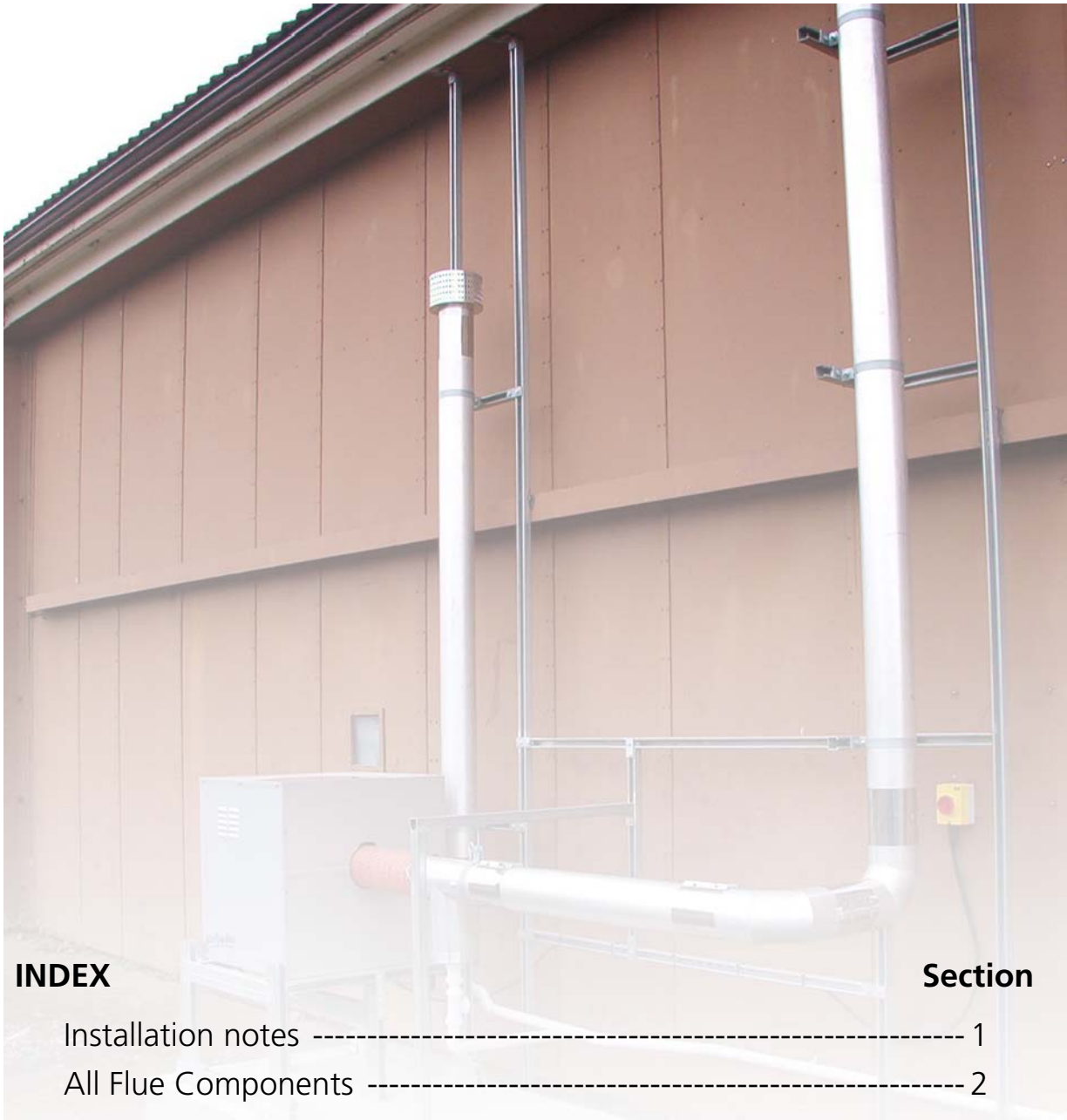


AMBIRAD

STAINLESS STEEL FLUE Ø150MM FOR NOR-RAY-VAC SYSTEMS. DIMENSIONAL DATA SHEET



INDEX

Section

Installation notes -----	1
All Flue Components -----	2

WARNINGS

AmbiRad equipment must be installed and maintained in accordance with the relevant provisions of the Gas Safety (Installations and Use) Regulations 1998 for gas fired products. Due account should also be taken of any obligations arising from the Health and Safety at Works Act 1974 or relevant codes of practice.

Part No. 707013



Nortek Global HVAC (UK) Limited, Fens Pool Avenue, Brierley Hill, West Midlands, DY5 1QA

Mandatory Requirements.

Connection to an appliance which is not connected to the fuel supply, may be carried out by a competent person. However, connection to an appliance that is connected to the fuel supply must be carried out by a Gas Safe Engineer.

The flue system must be installed to comply with Building Regulations Document J (in England, Wales & Northern Ireland) Regulations for Scotland. The installation must be terminated in accordance with the British Standard Code of Practice BS 5440: Part 1 - Installation and maintenance of flues and ventilation for gas appliances of rated input not exceeding 70kW net (1st, 2nd and 3rd family gases), and the flue system manufacturers instructions as supplied with the flue.

General.

Flue size 150mm diameter nominal single wall stainless steel.

A 5° slope on horizontal runs is advised.

NRV flue systems can run either vertically or horizontally up to a **maximum length of 40m** (including up to 2 x 90° bends plus the terminal). The minimum flue length shall be 1m.

It is essential that the flue way be kept clear at all times in the interest of good practices and health, safety and appliance performance. The flue system should be checked regularly during the appliance maintenance.

Joining.

The components are joined simply by pushing the male and female socket together until the stop is reached. No sealant is required. Use of a locking band is optional if greater joint security is felt to be required.

The female socket should always be installed uppermost to ensure any condensate drains smoothly down inside the flue.

Terminals should be secured by a locking band or self-tapping screws.

Condensating gaskets should be fitted dry and lubricant applied to the female socket.

Exact length can be obtained by use of an adjustable pipe. Adjustable pipes are not load bearing therefore adequate support for the system must be provided immediately above.

Connection to Appliance

Connection to the exhaust fan is via a high temperature Ø150mm flexible connector which is supplied separately. This flexible connector is also used as the means of removing the flue from the fan

Recommended distance to Combustibles

As a single wall flue system the surface may get very hot and must be kept away from combustible material with a minimum distance to combustibles of 25mm.

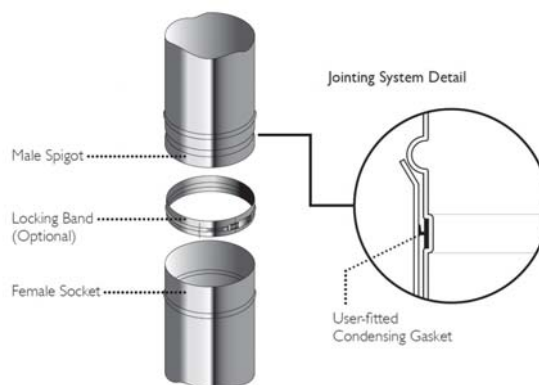
If the flue passes through a wall, ceiling, or roof made from combustible material then it has to be sleeved so as to provide a minimum of a 50mm void between the exterior of the flue and the internal wall of the sleeve. A minimum of 50mm must be maintained as a clearance distance to all other combustible materials.

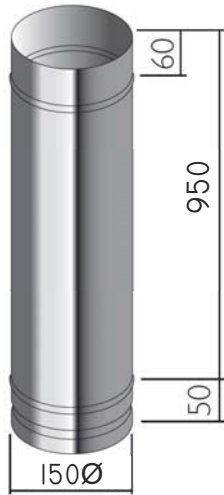
Support Components

The weight of the chimney system is considerable and requires independent support. No weight should be taken by the appliance. A wall support is available from the manufacturer for vertical runs. Wall supports can bear the load of up to 20m of vertical flue. When installed in accordance with these instructions the POCED (**P**roducts **O**f **C**ombustion **E**vacuation **D**ucts) is capable of withstanding its own weight.

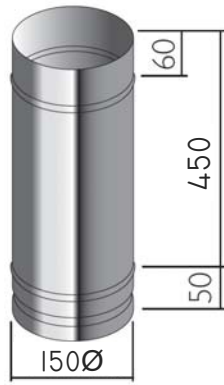
Wall brackets are not load bearing and mainly provide lateral support. Wall brackets should be fitted every 3m and at any offset. Horizontal runs should be supported every 1.5m. Where the flue is free standing above the roof and its height exceeds 1.5m beyond the last support or the roof, a guy wire bracket must be used, and every 1.5m thereafter.

The flue is principally intended for internal use. For external or exposed installations where there is a risk of condensate freezing, the flue should be insulated.

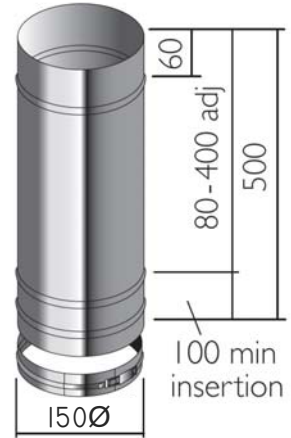




Flue Pipe 1000mm.
Part no. 202828



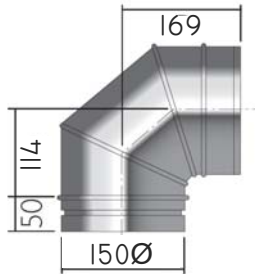
Flue Pipe 500mm.
Part no. 202829



Adj Flue Pipe 500mm.
Part no. 202830



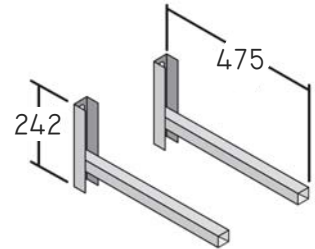
Locking Band.
Part no. 202831



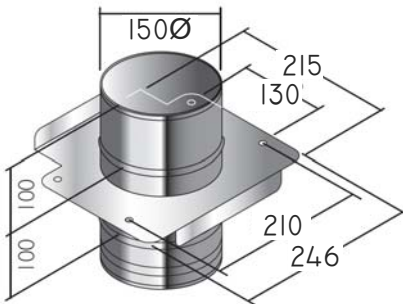
90° Bend.
Part no. 202836



45° Bend.
Part no. 202835



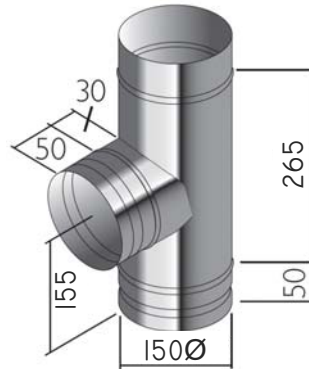
Cantilever Support.
Part no. 202838



Wall Support.
Part no. 202838



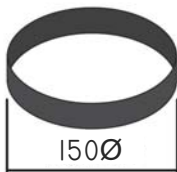
Tee Drain.
Part no. 202834



90° Tee.
Part no. 202833



Terminal.
Part no. 202839



Silicon Gasket.
Part no. 202832



Flexible
Part no. 7532



Jubilee Clip
Part no. 7542



Masterflash
Part no. 33-51-222



NORTEK GLOBAL HVAC (UK) LTD
Fens Pool Avenue
Brierley Hill
West Midlands DY5 1QA
United Kingdom

Tel: 01384 489 250
Fax: 01384 489 707

ambiradsales@nortek.com
www.ambirad.co.uk

Registered in England No. 1390934. Registered office: 10 Norwich Street, London, EC4A 1BD

Nortek Global HVAC is a registered trademark of Nortek Global HVAC Limited. Because of continuous product innovation, Nortek Global HVAC reserves the right to change product specification without due notice.