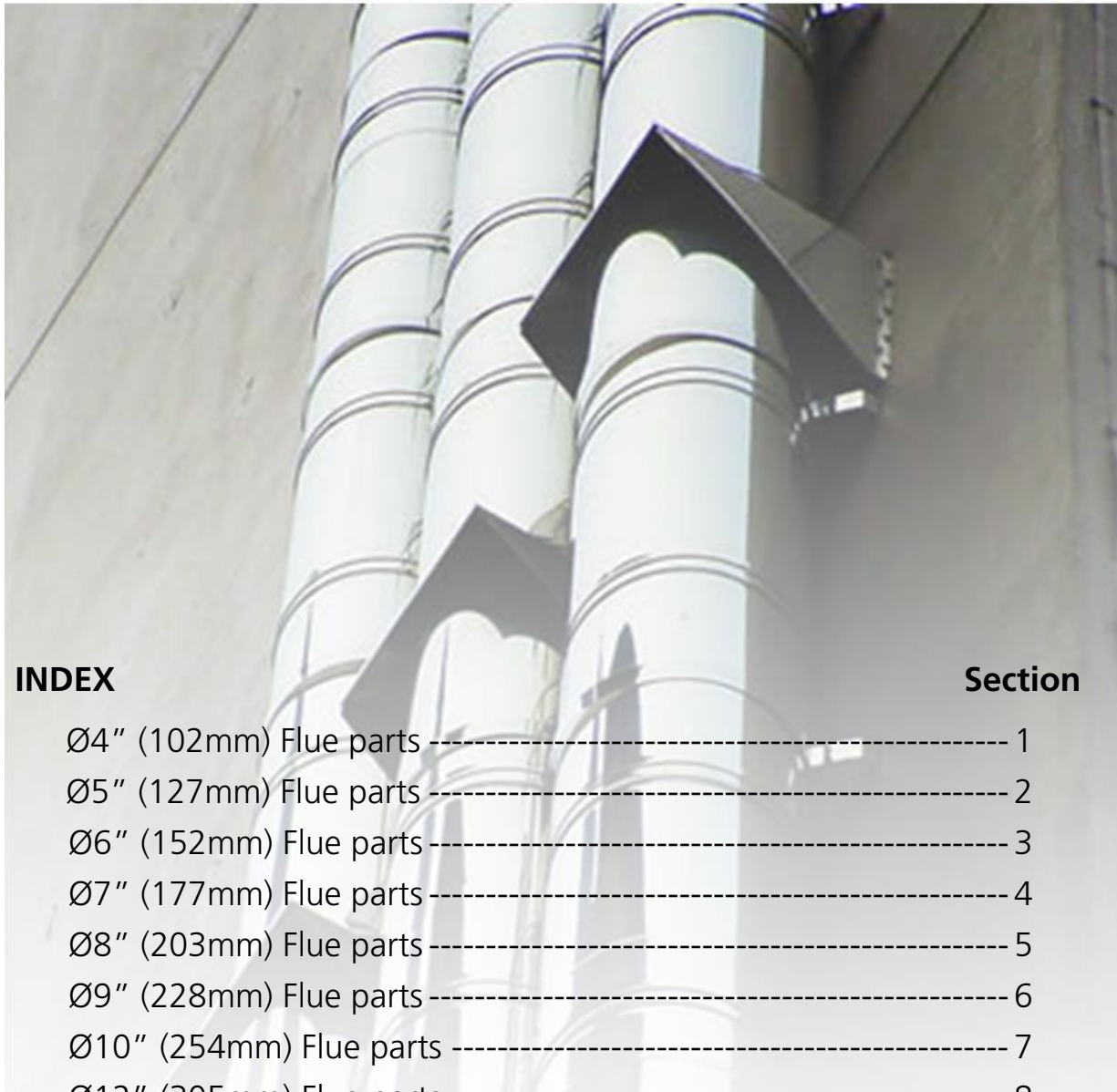


STAINLESS STEEL SINGLE WALL FLUE FITTINGS DIMENSIONAL DATA SHEET



INDEX	Section
Ø4" (102mm) Flue parts -----	1
Ø5" (127mm) Flue parts -----	2
Ø6" (152mm) Flue parts -----	3
Ø7" (177mm) Flue parts -----	4
Ø8" (203mm) Flue parts -----	5
Ø9" (228mm) Flue parts -----	6
Ø10" (254mm) Flue parts -----	7
Ø12" (305mm) Flue parts -----	8
Weatherproof Flashings -----	9

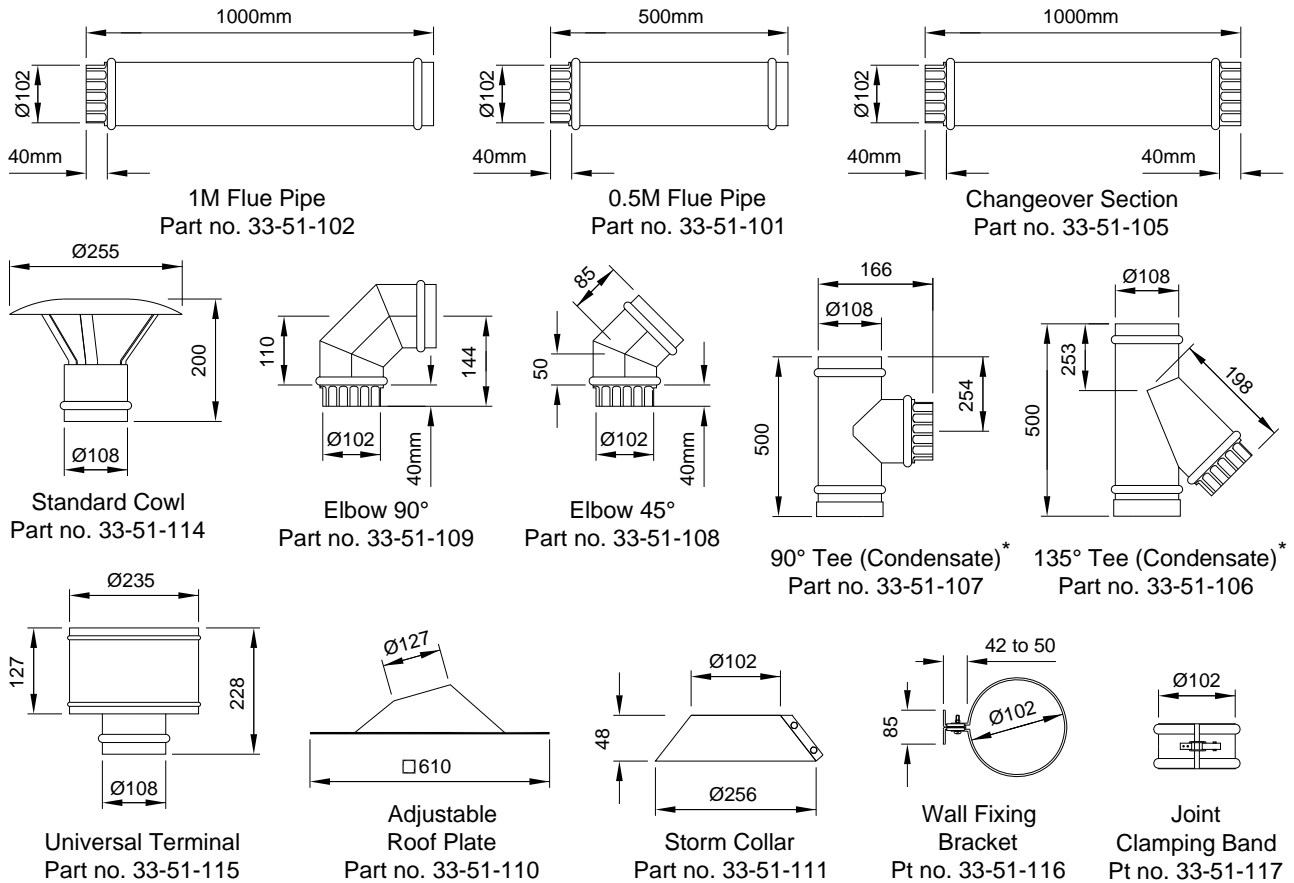
WARNINGS

AmbiRad equipment must be installed and maintained in accordance with the relevant provisions of the Gas Safety (Installations and Use) Regulations 1998 for gas fired products. Due account should also be taken of any obligations arising from the Health and Safety at Works Act 1974 or relevant codes of practice.

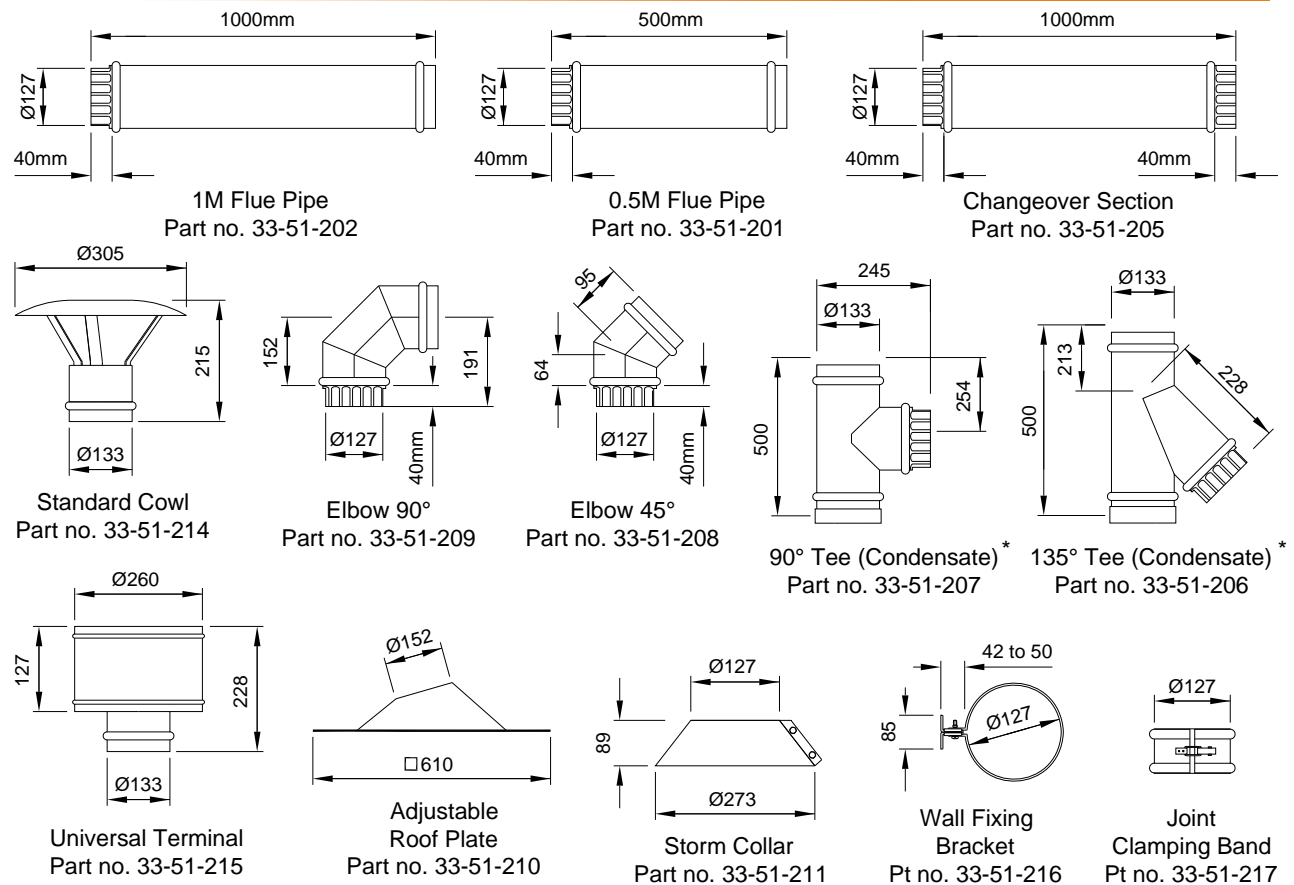
Part No. 707011



1) Ø102mm (4") 100mm Nom

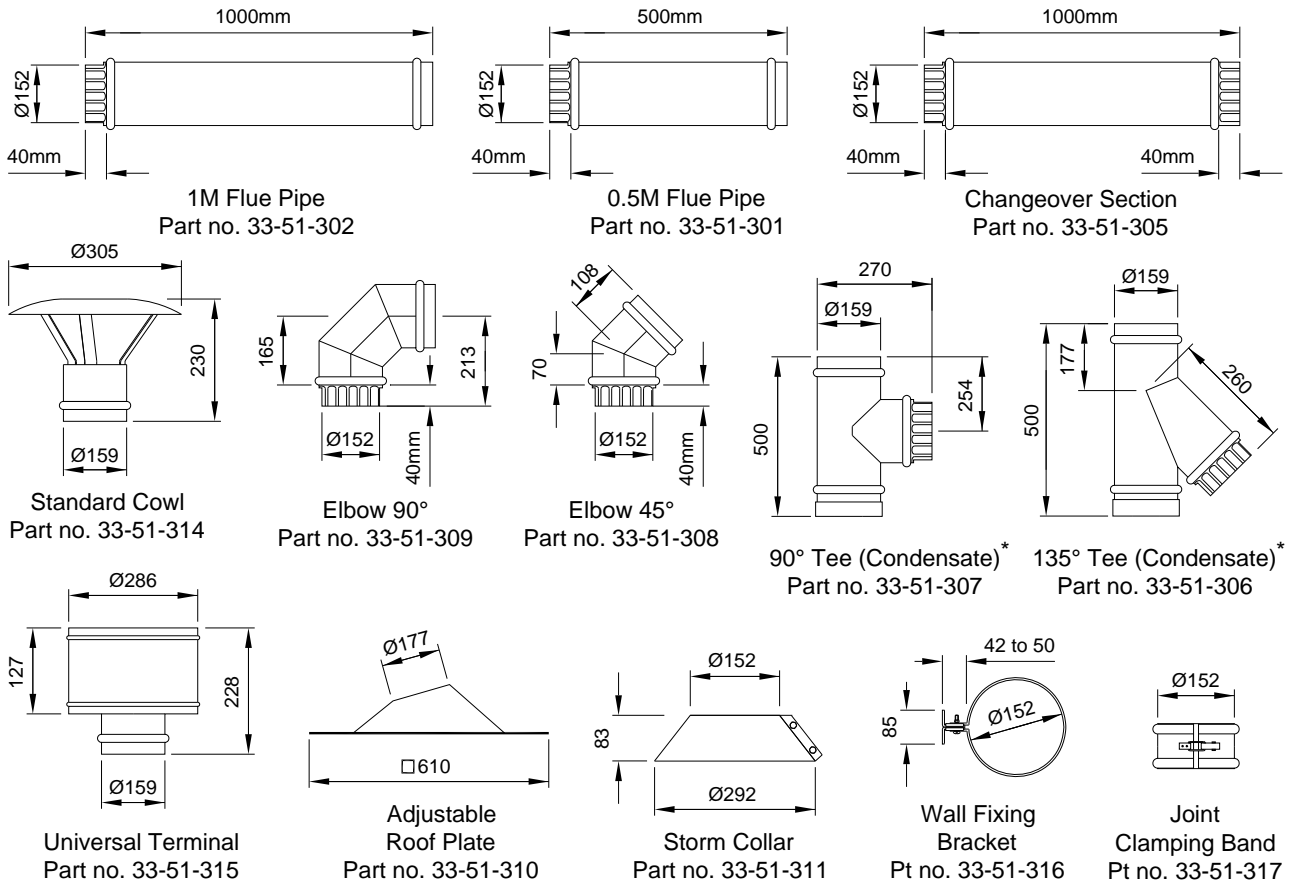


2) Ø127mm (5") 125mm Nom

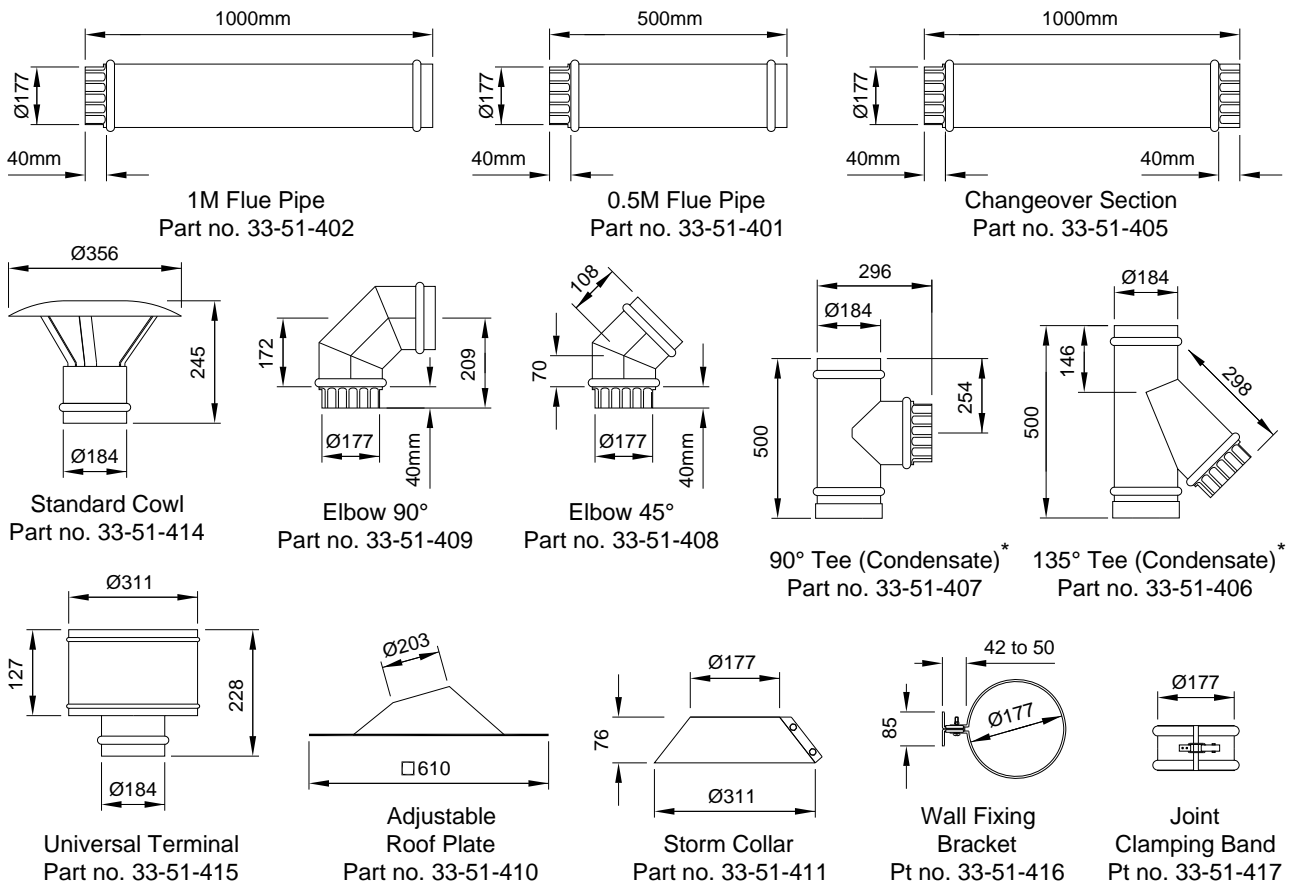


* NOTE: Condensate drain by others (if required)

3) Ø152mm (6") 150mm Nom

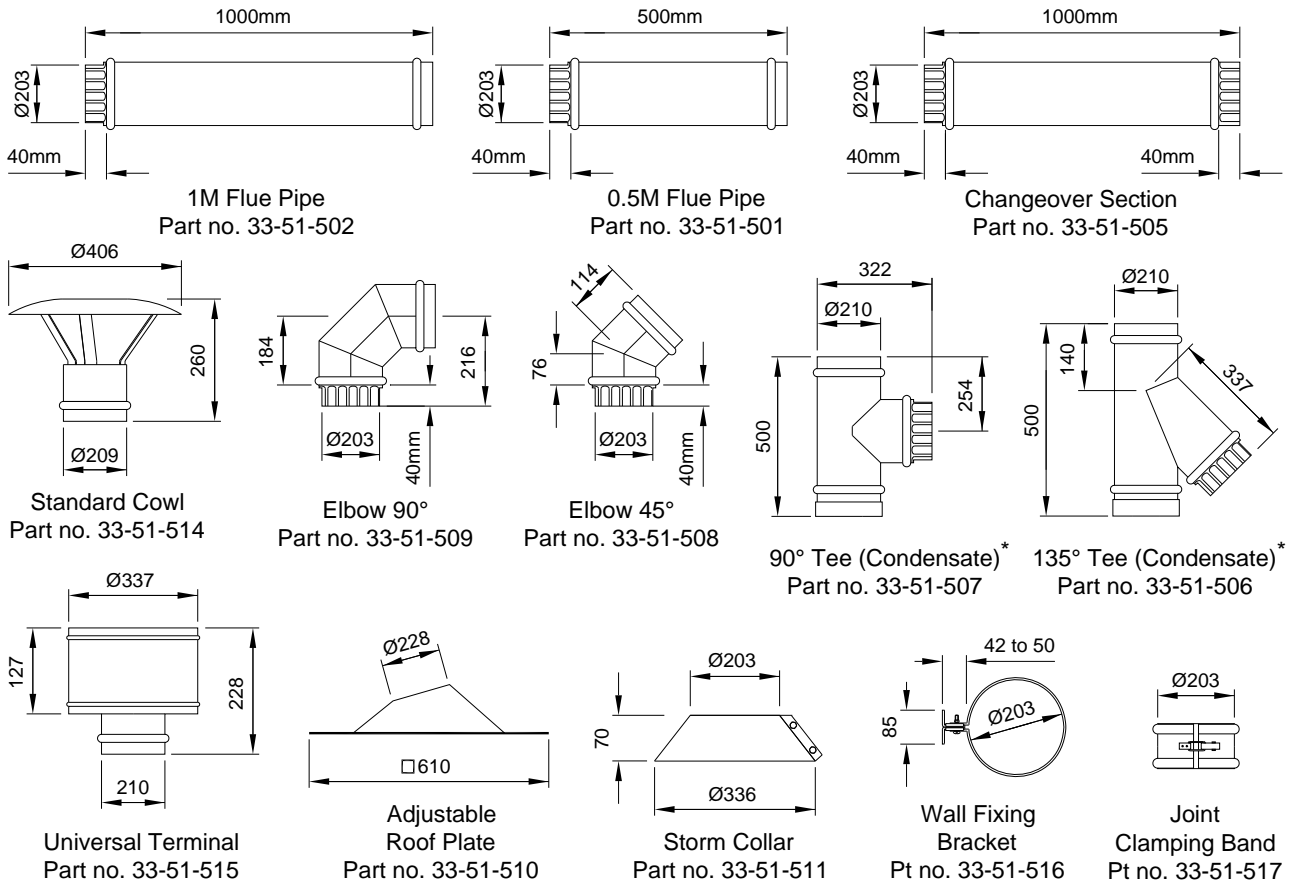


4) Ø177mm (7") 175mm Nom

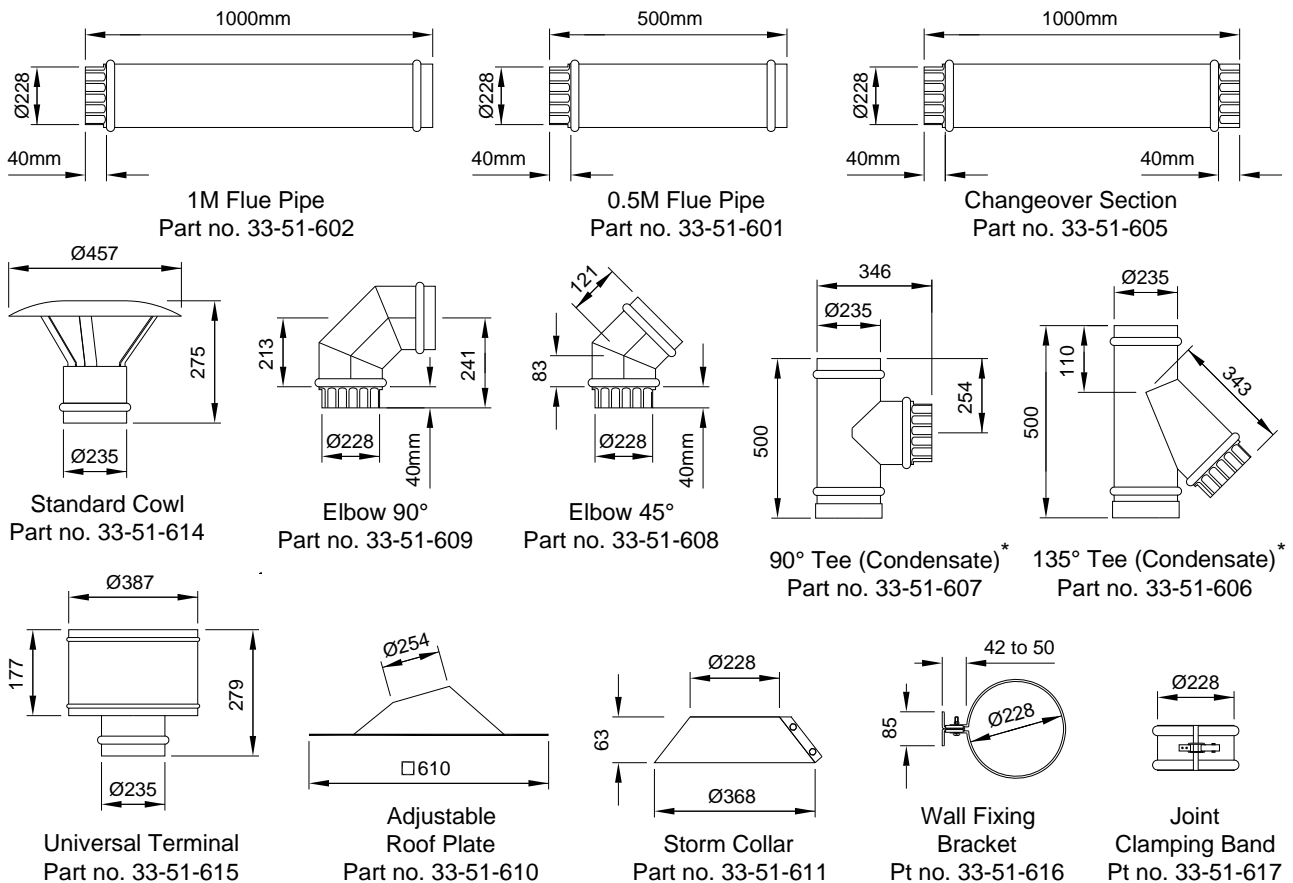


* NOTE: Condensate drain by others (if required)

5) Ø203mm (8") 200mm Nom

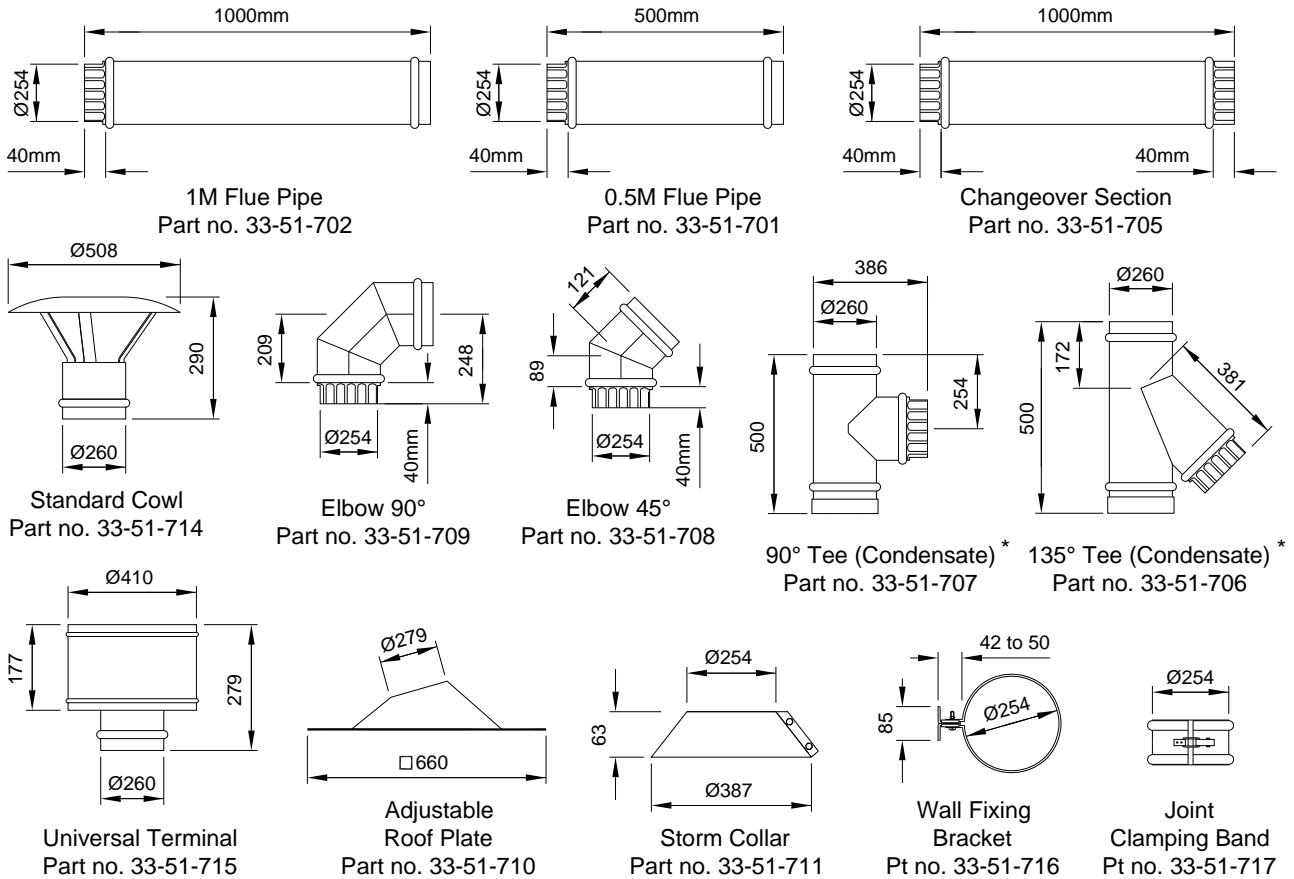


6) Ø228mm (9") 225mm Nom

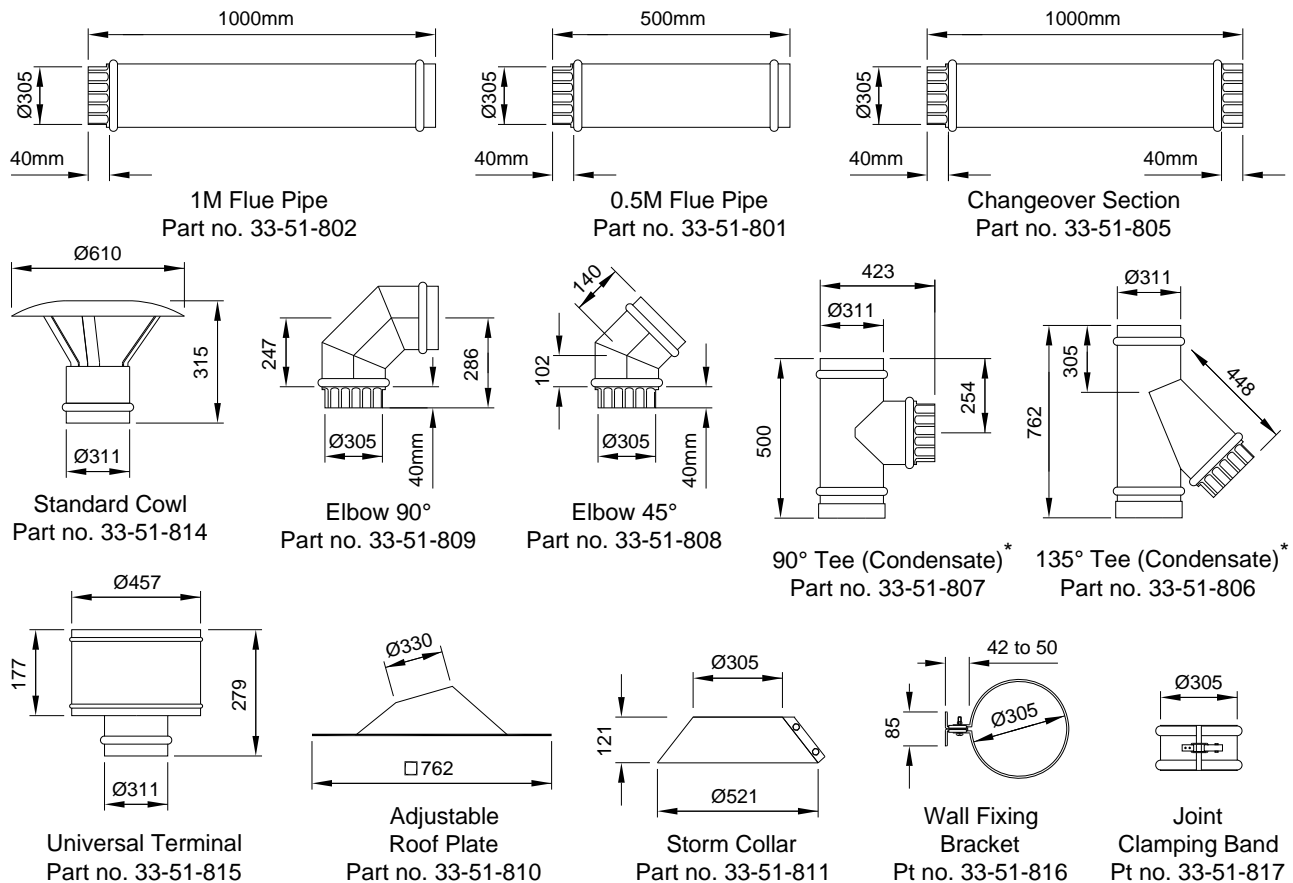


* NOTE: Condensate drain by others (if required)

7) Ø254mm (10") 250mm Nom



8) Ø305mm (12") 300mm Nom

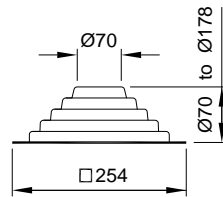


* NOTE: Condensate drain by others (if required)

9) Weatherproof Flashings

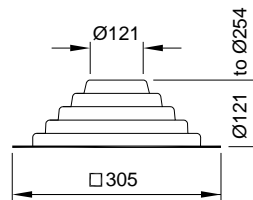
High temperature flexible flashings c/w fixing kit.

For use with flue sizes 102mm and 127mm



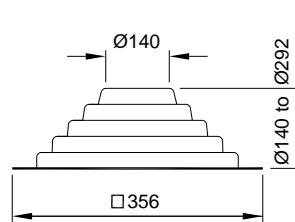
Standard Flashing
Part no. B-RFK-4

For use with flue sizes 152mm and 175mm



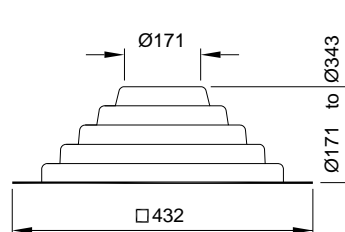
Standard Flashing
Part no. B-RFK-6

For use with flue sizes 200mm, 225mm and 250mm



Standard Flashing
Part no. B-RFK-7

For use with flue sizes 275mm and 300mm



Standard Flashing
Part no. B-RFK-8

Notes





NORTEK GLOBAL HVAC (UK) LTD
Fens Pool Avenue
Brierley Hill
West Midlands DY5 1QA
United Kingdom

Tel: 01384 489 250
Fax: 01384 489 707

ambiradsales@nortek.com
www.ambirad.co.uk

Registered in England No. 1390934. Registered office: 10 Norwich Street, London, EC4A 1BD

Nortek Global HVAC is a registered trademark of Nortek Global HVAC Limited. Because of continuous product innovation, Nortek Global HVAC reserves the right to change product specification without due notice.

Document reference number: 33-51-000 Sept. 2013 issue 3
GBWA/079/0511