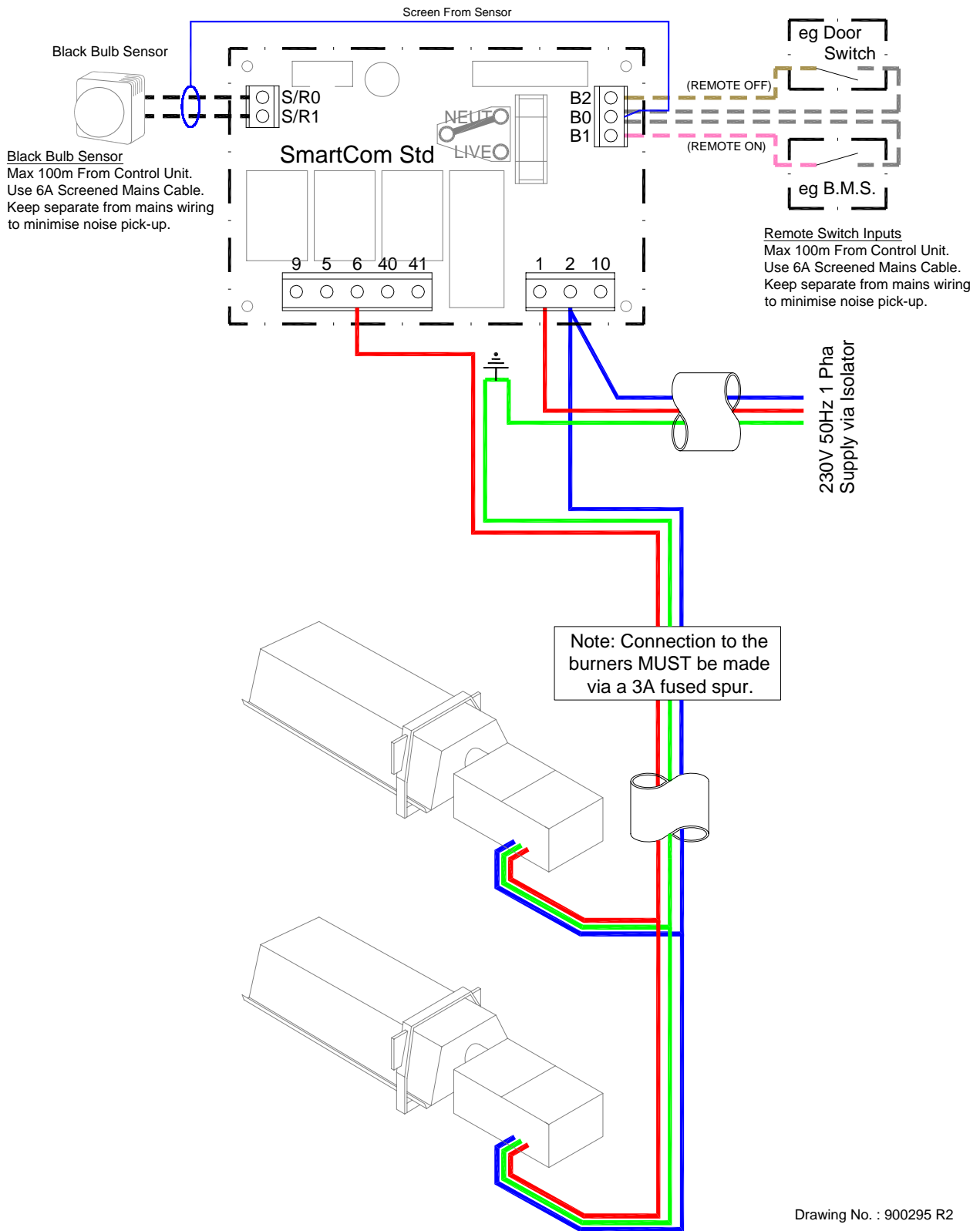


# Single Zone Standard Radiant Systems.



Drawing No. : 900295 R2